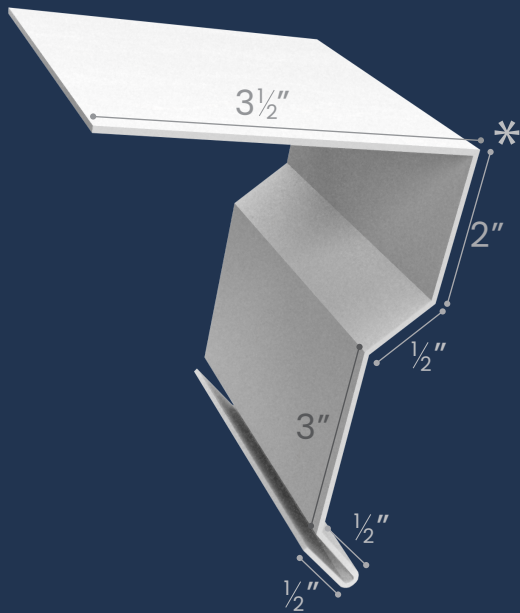


6" EAVE

TRIMS



*Angle determined by project

10"



Metal provided by United Steel and Cascadia Metals.