

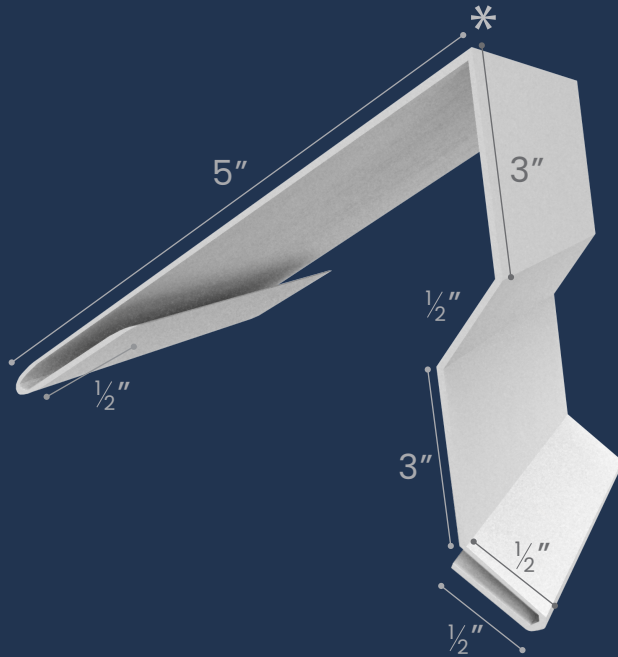
# 7

JESCOMETALWORKS.COM



# 6" TOPCAP

TRIMS



\*Angle determined by project

13"



Metal provided by United Steel and Cascadia Metals.